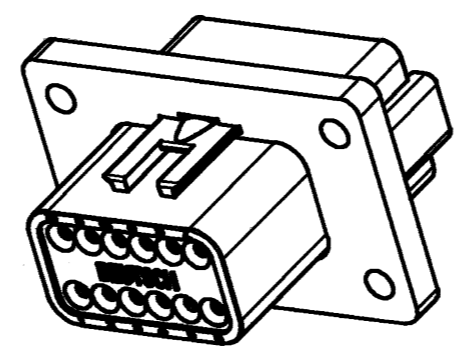
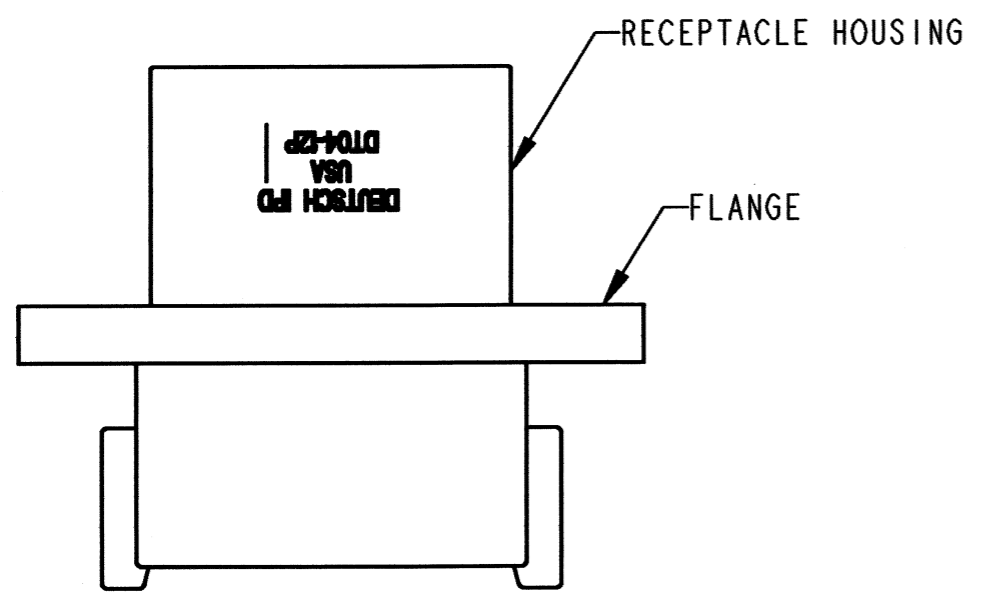


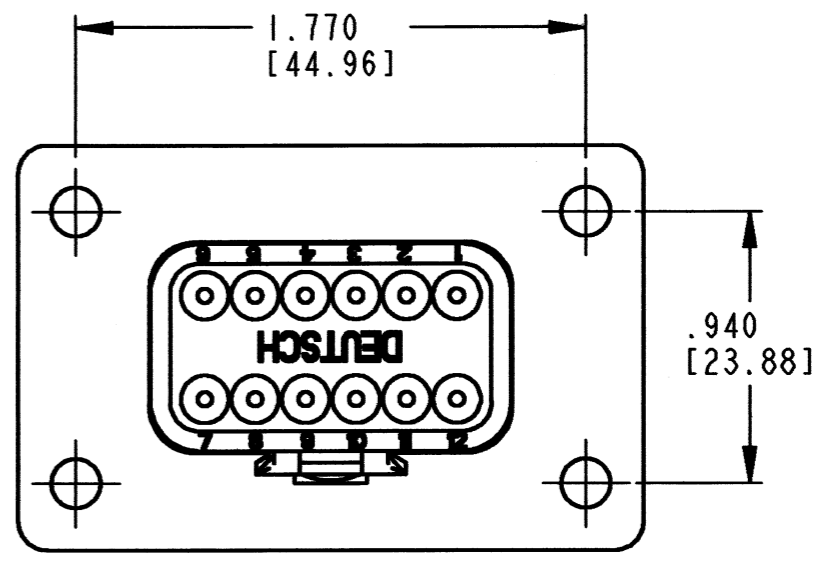
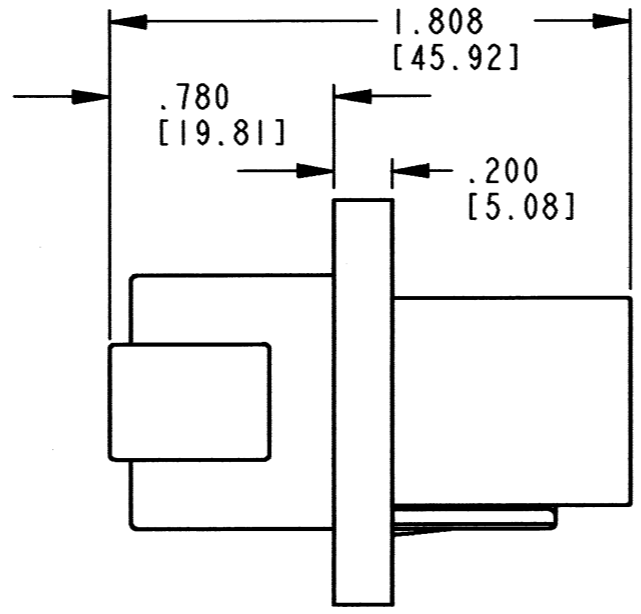
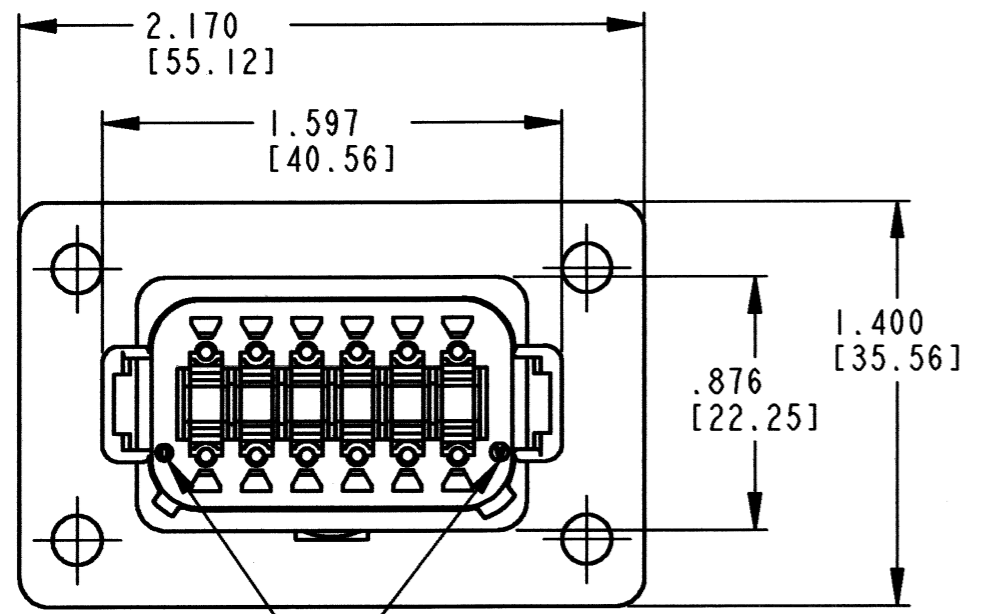
REV  
A DT04-12P\*-L012

REVISIONS			
SYM	DESCRIPTION	DATE	APPROVED
NC	REDRAWN/REPLACES PREVIOUS		
	RELEASE PER E.O. P19542	6/12/07	R.D.R.
A	REVISED PER E.O. P20438	5-18-10	RDR

CONTACT SIZE	MIN. INSUL O.D.	MAX. INSUL O.D.	WIRE RANGE [mm <sup>2</sup> ] REF ONLY
16	.088 [2.24]	.145 [3.68]	14-20 AWG [2.0-0.5]



3-DIMENSIONAL VIEW



DATE CODE: MONTH IS REPRESENTED BY SEQUENTIAL ALPHA CHARACTERS. EX: A = JANUARY  
YEAR IS REPRESENTED BY LAST NUMERICAL DIGIT. EX: 0 = 2000.

- 5. CONNECTOR MATERIAL IS PLATIC AND SEAL IS RUBBER. FLANGE COLOR IS GREY. FOR HOUSING COLOR SEE SHEET 2.
- 4. THIS RECEPTACLE MATES WITH DT06-12\*-\*\*\*\* PLUG. (\* = KEY ARR. A, B, C, OR D, \*\*\*\* = ALL MODIFICATIONS) CONSULT FACTORY FOR MODIFICATIONS.

3. FOR CONTACTS AND WIRE PERFORMANCE AND APPLICATION CHARACTERISTICS, SEE ENVELOPE DRAWINGS 0425-015-0000 AND 0425-017-0000.

- 2. DIMENSIONS ARE ±.025[0.63] UNLESS OTHERWISE SPECIFIED.
- 1. DIMENSIONS ARE IN INCHES [MILLIMETERS].

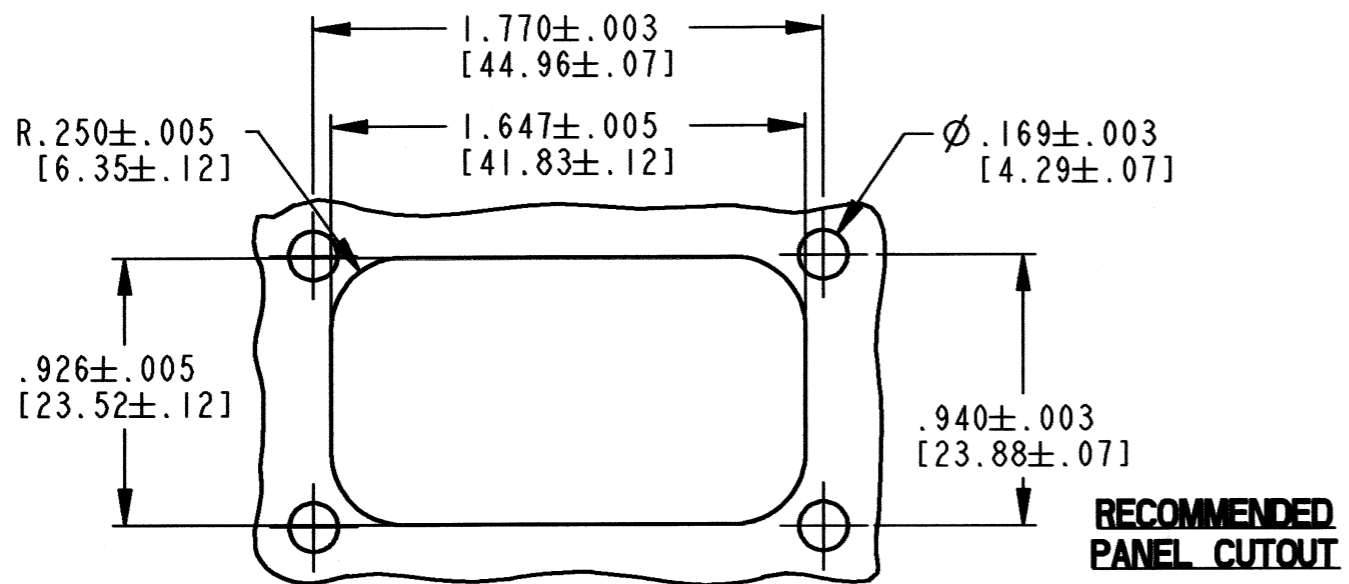
NOTES:

SIGNATURE & DATE	
DR	A. MALAGON 16MAY07
CHK	R. McLeod 5/14/10
PE	R. M... 2/12/10
APPD	S. Beard 5.4.10
SCALE	NONE
WT	

12 WAY RECEPTACLE  
W/ FLANGE  
-L012 MOD.  
DT SERIES

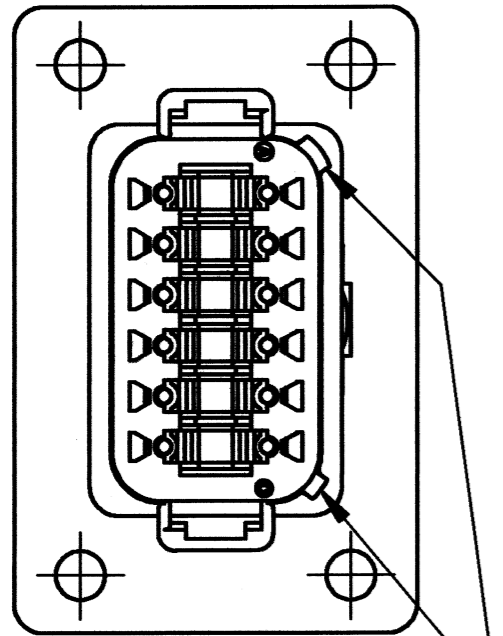
ENVELOPE

EP	MATL. CODE
3850 INDUSTRIAL AVE. HEMET, CA 92545	
<b>B</b>	<b>DT04-12P*-L012</b>
DWG SIZE	CODE 11139 SHEET 1 OF 2



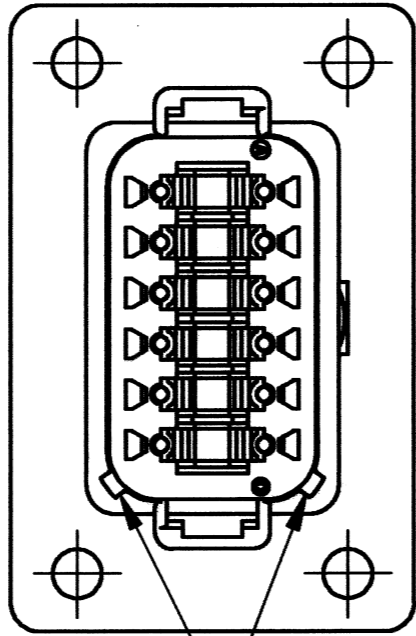
REV	DT04-12P*-L012	REVISIONS		
SYM	DESCRIPTION	DATE	APPROVED	
A	SEE SHEET #1	5-18-10	RDR	

**DT04-12PA-L012**  
KEY -A-  
COLOR: GREY



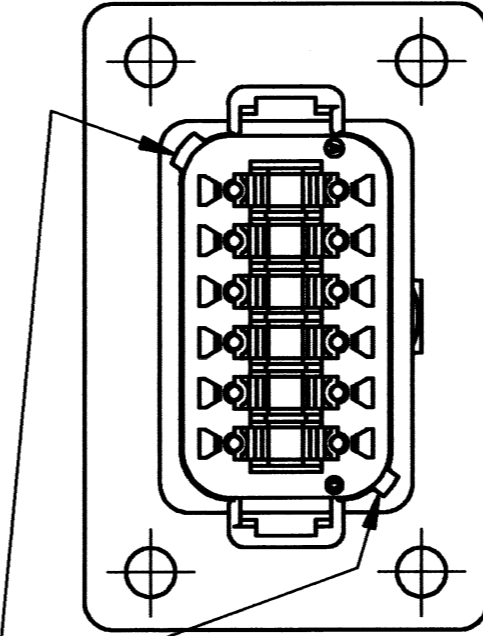
KEY -A-

**DT04-12PB-L012**  
KEY -B-  
COLOR: BLACK



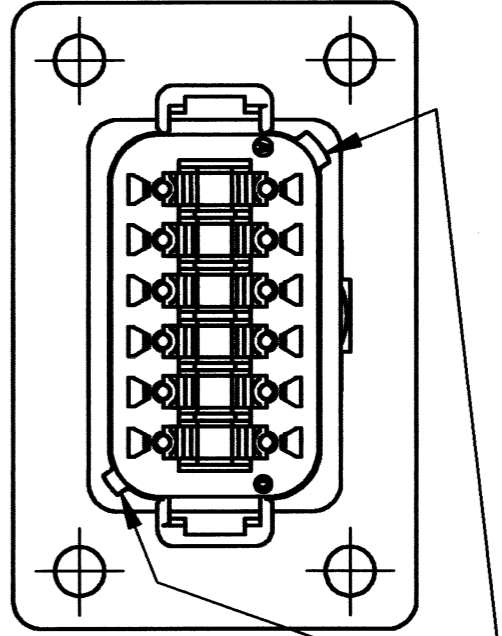
KEY -B-

**DT04-12PC-L012**  
KEY -C-  
COLOR: GREEN



KEY -C-

**DT04-12PD-L012**  
KEY -D-  
COLOR: BROWN



KEY -D-

NOTES: SEE SHEET #1

SIGNATURE & DATE	
DR	A. MALAGON 16MAY07
CHK	R. Malaga 5/14/10
PE	M. M... 2/12/10
APPD	J. B... 5.4.10
SCALE	NONE WT

**12 WAY RECEPTACLE**  
W/ FLANGE  
-L012 MOD.  
DT SERIES

ENVELOPE

EP	MATL. CODE
3850 INDUSTRIAL AVE. HEMET, CA 92545	
<b>B</b>	<b>DT04-12P*-L012</b>
DWG SIZE	CODE 11139 SHEET 2 OF 2